



Pearl Nebular Black (YAY)



Pearl Glacier White No.2 (QHW)



Metallic Triton Blue No.2 (QHV)

SPECIFICATIONS

Overall length	2,085 mm
Overall width	740 mm
Overall height	1,110 mm
Wheelbase	1,430 mm
Ground clearance	160 mm
Seat height	790 mm
Curb mass	178 kg (non-ABS model) / 181 kg (ABS model)
Engine type	4-stroke, liquid-cooled, SOHC, parallel twin
Bore x stroke	53.5 mm x 55.2 mm

Engine displacement	248 cm ³
Compression ratio	11.5 : 1
Fuel system	Fuel injection
Starter system	Electric
Lubrication system	Wet-sump
Transmission	6-speed constant mesh
Primary reduction ratio	3.238 (68/21)
Final reduction ratio	3.285 (46/14)

Suspension	Front	Telescopic, coil spring, oil damped
	Rear	Swingarm type, coil spring, oil damped
Rake / trail	25.6° / 104 mm	
Brakes	Front	Disc brake
	rear	Disc brake
Tyres	Front	110/80-17M/C 57H tubeless
	Rear	140/70-17M/C 66H tubeless
Ignition system	Electronic ignition	
Fuel tank capacity	15.0 L	
Oil capacity (overhaul)	2.4 L	

Specifications, appearances, color (including body color), equipment, materials and other aspects of the SUZUKI products shown in this catalog are subject to change by Suzuki at any time without notice and they may vary depending on local conditions or requirements. Some models are not available in some territories. Each model may be discontinued without notice. Please inquire at your local dealer for details of any such changes.

- Always wear a helmet, eye protection and protective clothing.
- Enjoy riding safely.
- Read your Owner's Manual carefully.
- Never ride under the influence of alcohol or other drugs.

PRINTED IN JAPAN 99999-A0203-281

SUZUKI MOTOR CORPORATION
300 Takatsuka-cho, Minami-ku, Hamamatsu City, JAPAN 432-8611

www.globalsuzuki.com



Way of Life!

GSX 250R



Suzuki's "Way of Life!" is the heart of our brand - every Suzuki vehicle, motorcycle and outboard motor is built to create excitement so customers can enjoy everyday life.



Way of Life!



**GSX
250R**

The Urban Athlete

Sleek, flowing lines invite you to climb aboard and ride into the future.
Sporty styling true to Suzuki's sportbike heritage brings instant excitement.
Look and feel your best wherever you decide to spread your wings.
The new GSX250R is ready to take you beyond mere satisfaction.





Brilliant performance

Featuring positive response, a broad power band, ease of control and class-leading level of fuel efficiency, the performance realized by the GSX250R goes beyond what one would normally expect from a 250cm³ motorcycle.

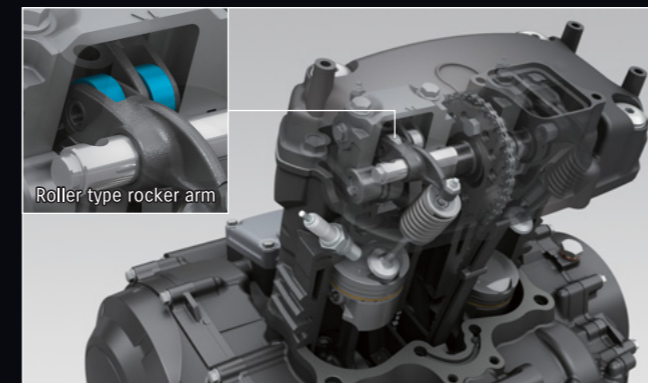
Each aspect related to performance is optimized to fully tap the bike's potential and deliver pure delight, whether riding in town or heading out on a long touring run.

Engine

The 248cm³ parallel-twin engine that powers the GSX250R underwent thorough analysis and optimization to maximize low- to mid-range torque and provide a powerful ride that features ease of control. The overall efficiency achieved also helps realize class-leading level of fuel economy^{*1} and clean performance that satisfies the stringent Euro 4 emissions. With a full tank of gasoline, the GSX250R has a riding range of approximately 480km^{*2}.

^{*1} 4-stroke 2-cylinder 250cm³ class (As of October 2016)

^{*2} Calculated based on the Worldwide Motorcycle Test Cycle (WMTC mode) exhaust emissions measuring conditions measured by Suzuki. Actual fuel economy and riding range may differ owing to differences in conditions such as the weather, road, rider behavior and maintenance.



Cylinder

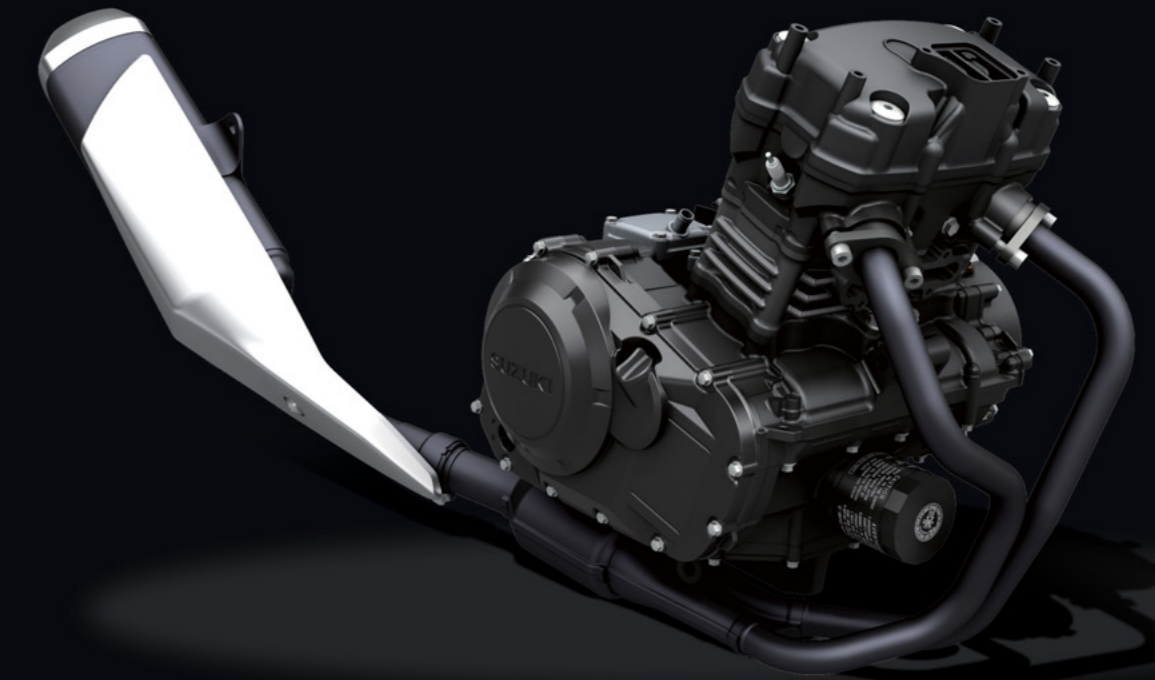
The honing pattern used for the cylinder barrels maintains lubrication for the pistons in a manner that helps minimize any loss of performance due to friction.

Cylinder head

The cylinder head adopts roller type rocker arms that minimize friction loss.

Camshaft

The cam profile for the GSX250R delivers maximum acceleration performance at speeds between 20km/h to 90km/h, as this is the range that is used most often. As an additional benefit, the cam profile also suppresses noise generation to deliver a smoother, more pleasant ride.



Piston

Thin, low tension piston rings were adopted to reduce friction and the shape of the piston ring grooves was also optimized.

New intake valve design

The port sections on the intake valves are designed to optimize airflow into the combustion chamber. This helps achieve a high level of thermal efficiency for improved performance and reduced emissions.



Spark plug

Adopting the use of projected tip spark plugs speeds up the rate of combustion. This improves response, especially when the throttle is not open far, and also improves fuel economy.

Oil pump

Optimization of the oil pump reduces friction loss and contributes to an increase in engine output and improvement in fuel economy.



Highly efficient, lightweight exhaust system

The two-into-one exhaust system for the GSX250R features an optimized shape for the chamber in front of the catalyzer. This maximizes acceleration performance at mid-range speeds, while the efficiency of the system also reduces exhaust emissions. The muffler adopts a shape that contributes to better engine output and torque by reducing power loss. It delivers a pleasing sound while its design also contributes to better cornering.



A sport bike that is equally adept at daily riding and touring

The GSX250R is ready to perform as the all-round urban athlete. Its sporty good looks and nimble, responsive performance makes for exhilarating fun. At the same time, its sporty nature is complemented by a smooth and comfortable nature that is equally at home on the daily commute or when touring.



LED position lamp



LED taillight

Distinctive position lamps and taillight design

Enhancing the sporty, aggressive look and futuristic flair of the GSX250R are newly designed surface-emitting LEDs employed by the position lamps up front and the taillight in the rear. Their smooth edge-to-edge illumination and the chevron-like shape that flanks the headlight create a truly distinctive and highly appealing lighting scheme. Adopting clear lenses for the front and rear turn signals adds to the stylish appearance.



Note: All light and indicators are illuminated in the photo for illustrative purposes. Photo: GSX250R ABS

Full LCD instrumentation

The GSX250R features a reverse-lit LCD instrument panel. Readouts include the speedometer, tachometer, gear position and RPM indicator, odometer, dual tripmeters, fuel gauge, average fuel consumption and oil change timing indicators, and a clock.



Photo: GSX250R ABS



Front & rear brake disc

ABS unit

Wheels, tires and brakes designed to perform

The sporty flair of newly designed 10-spoke wheels pairs with IRC tires that provide a solid grip on the road. Stopping power is provided by Petal-type front and rear disc brakes. An Antilock Brake System (ABS)^{*3} made by BOSCH is also available^{*4} to deliver yet greater confidence and control.

^{*3} ABS is not designed to shorten the braking distance. ABS cannot prevent wheel skidding caused by braking while cornering. Please drive carefully and do not overly rely on ABS.

^{*4} Only equipped on ABS model.



Photo: GSX250R ABS



Clip-on handlebars

The relatively low mounting point of the separate left and right handlebars is sporty, but at the same time designed to provide a comfortable riding position around town or when touring.



Independent rider and passenger seats

The GSX250R adopts the sporty styling of independent seats for the rider and passenger. Even so, each seat provides plenty of cushioning to make long rides comfortable. The slim design of the fuel tank also helps the rider easily plant their feet on the ground when stopped.

Front and rear (KYB) suspension with custom settings

Contributes to weight reduction and retains reassuring handling characteristics, while at the same time adding a sportier feel.